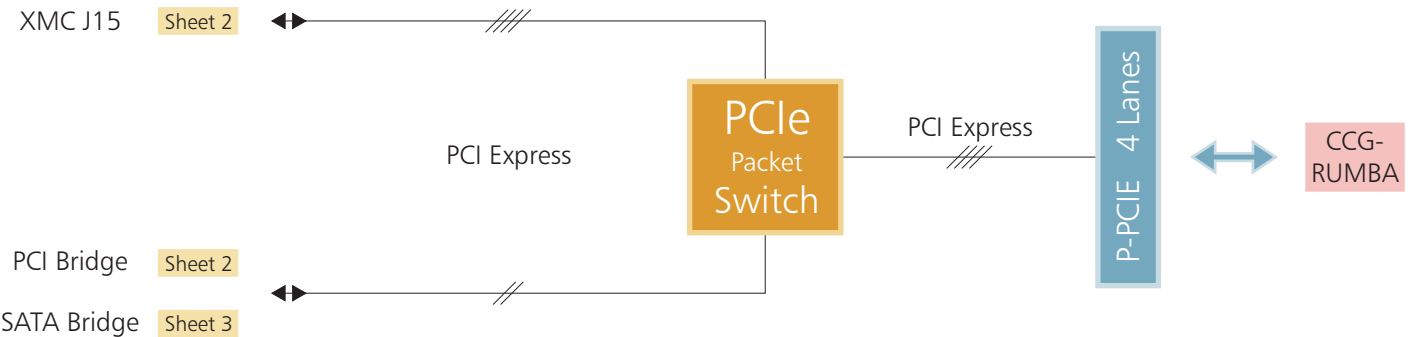


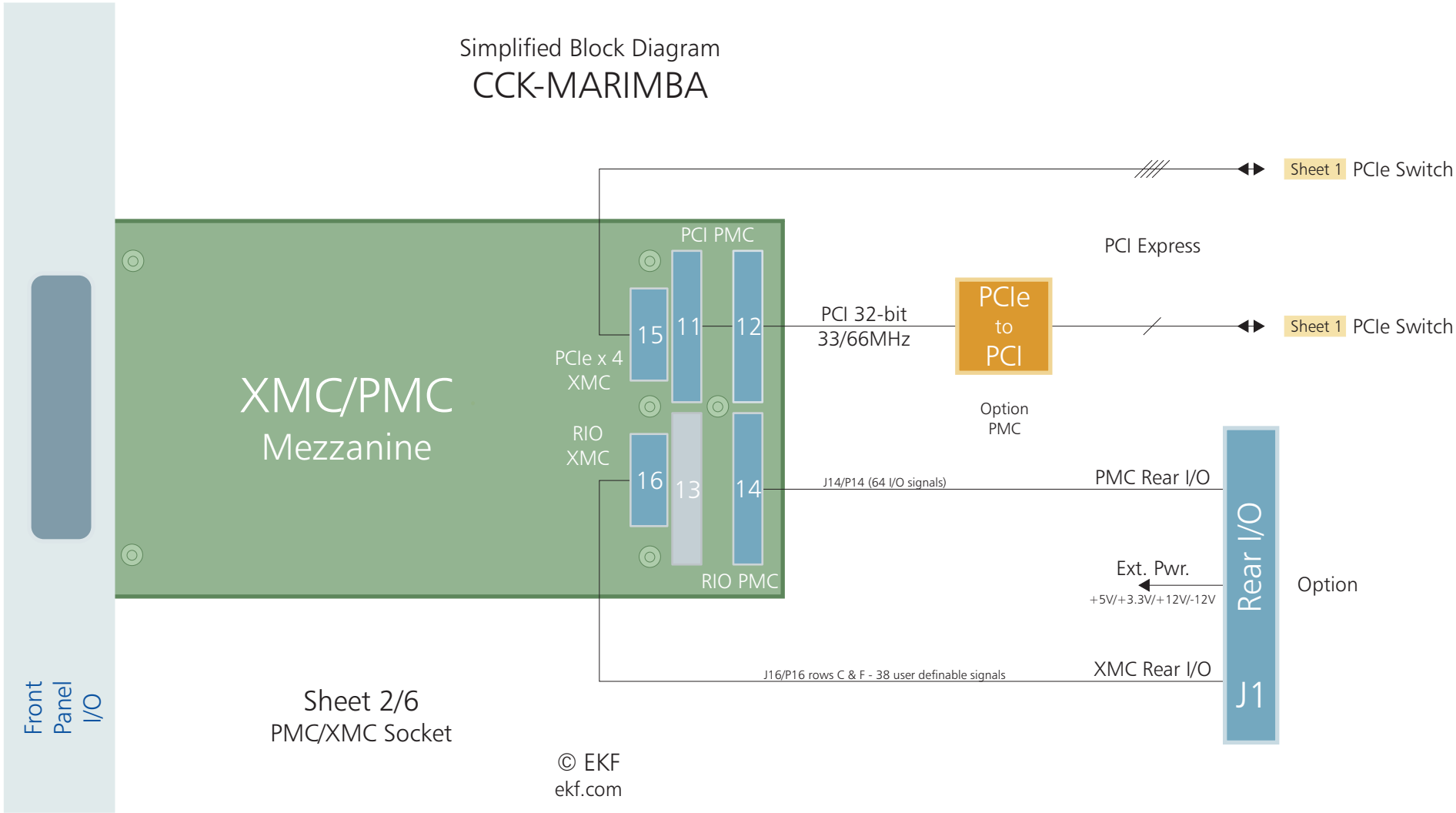
Simplified Block Diagram CCK-MARIMBA

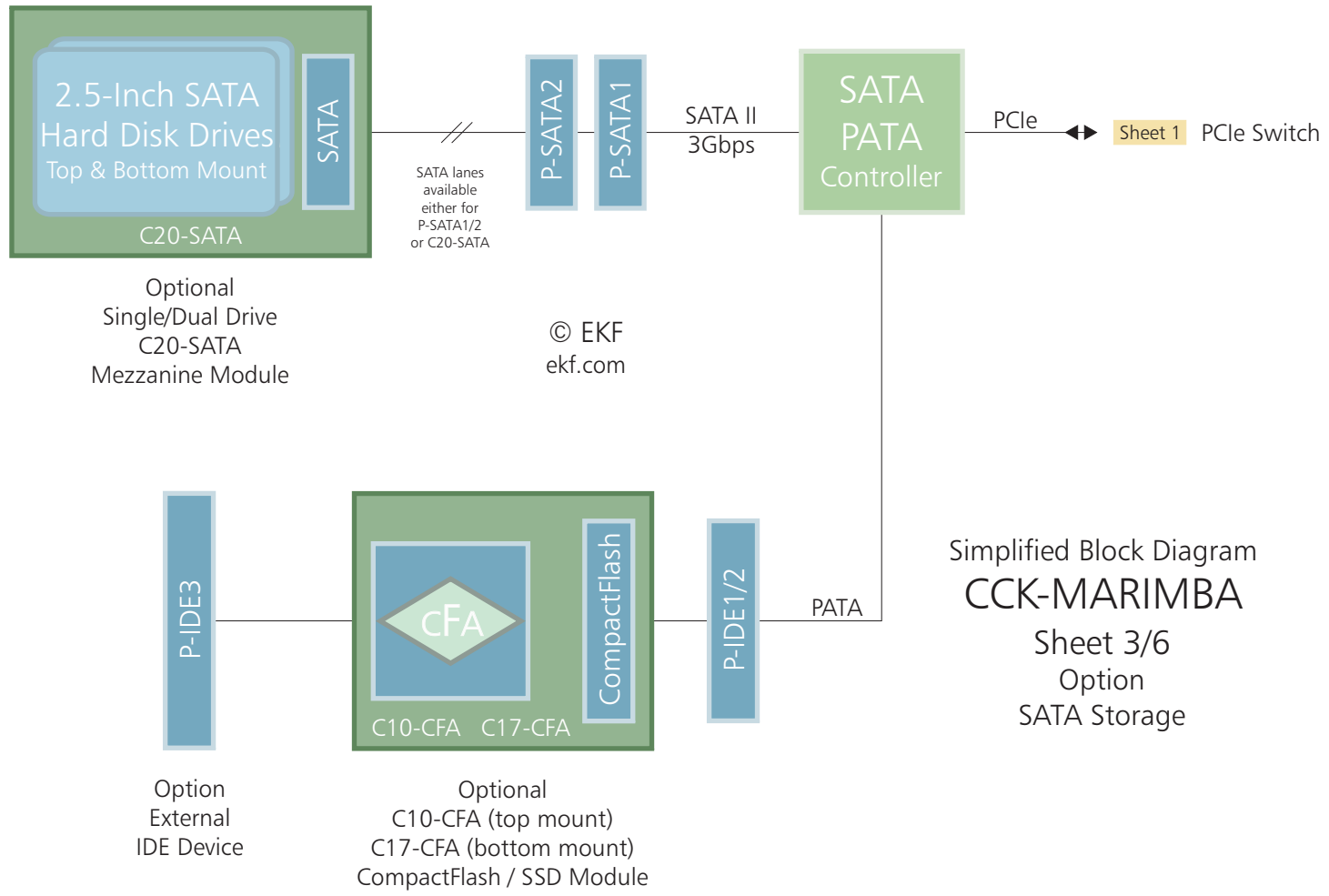


Sheet 1/6
PCI Express
3-Port/12-Lane
Packet Switch

© EKF
ekf.com

Simplified Block Diagram CCK-MARIMBA

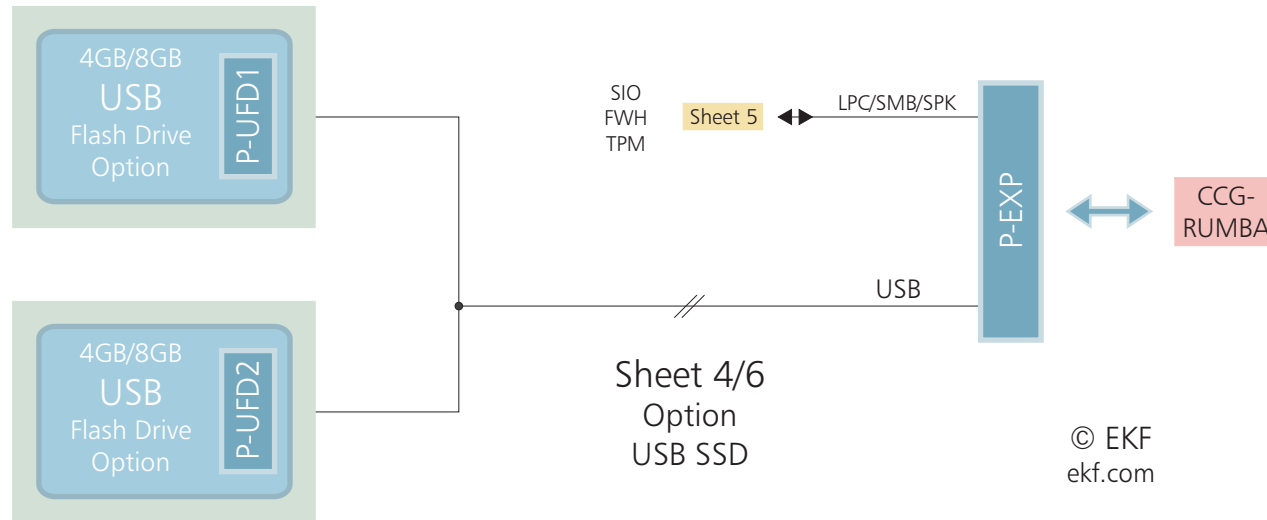


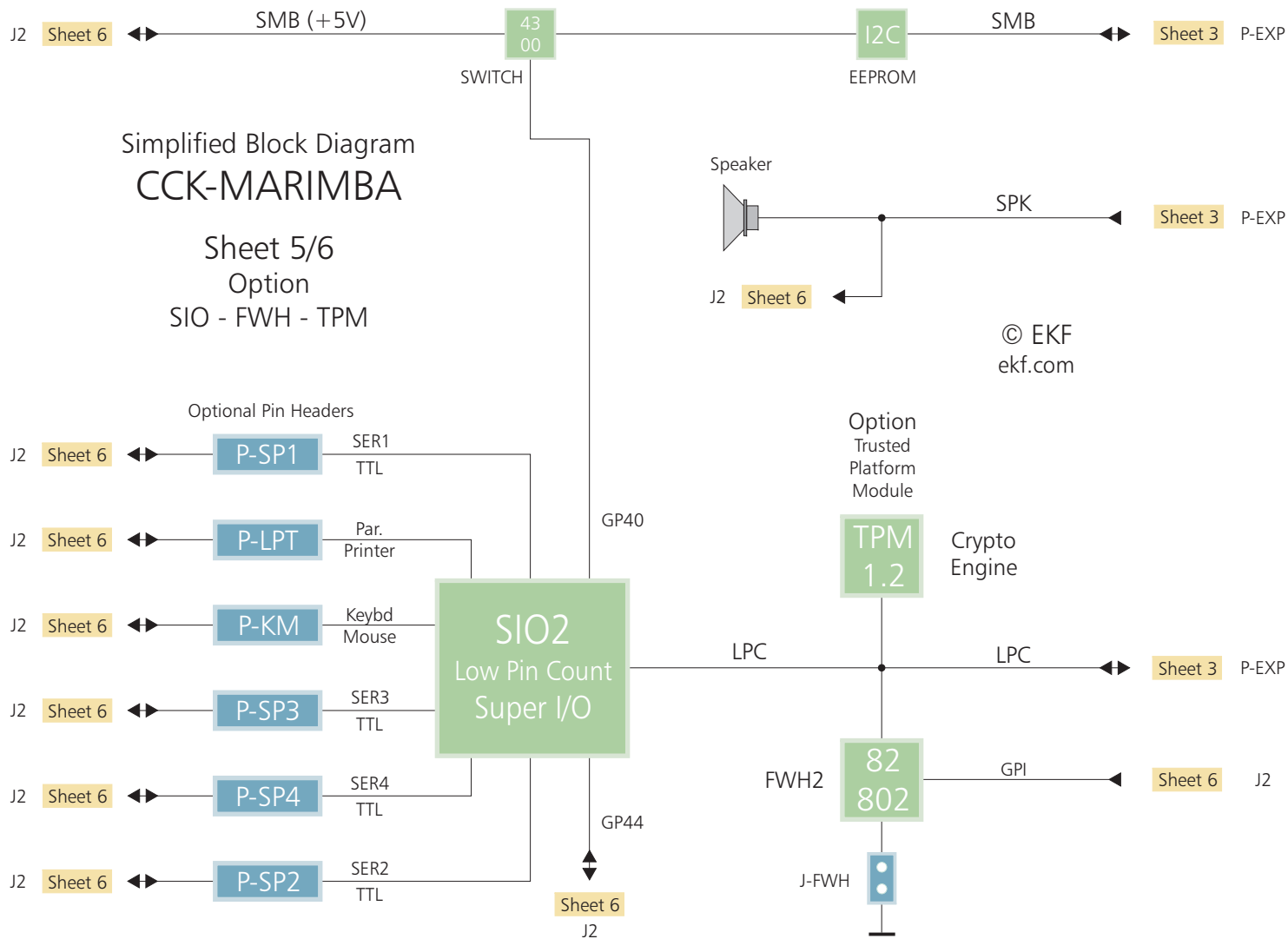


Simplified Block Diagram
CCK-MARIMBA
 Sheet 3/6
 Option
 SATA Storage

M-Systems uDOC MD1665
SimpleTech SLUFDM
Intel Z-U130 SSDUSMS

Simplified Block Diagram CCK-MARIMBA





Simplified Block Diagram
CCK-MARIMBA

Sheet 5/6
Option
SIO - FWH - TPM

© EKF
ekf.com

Simplified Block Diagram CCK-MARIMBA

© EKF
ekf.com

Sheet 6/6
J2 Rear I/O
Option

