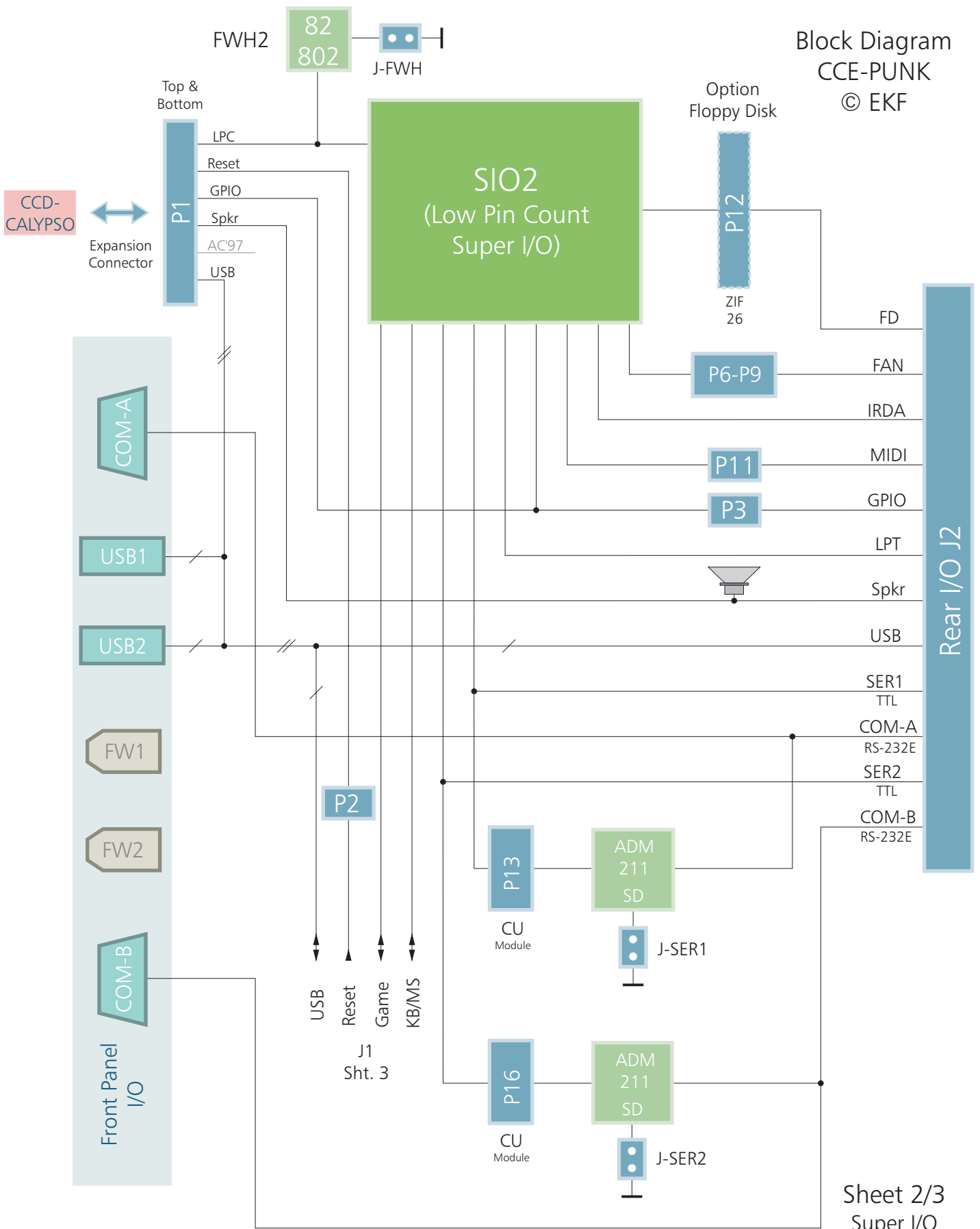


Block Diagram
CCE-PUNK
© EKF

Block Diagram
CCE-PUNK
© EKF



Block Diagram
CCE-PUNK
© EKF

Sheet 3/3
IDE Storage Options

