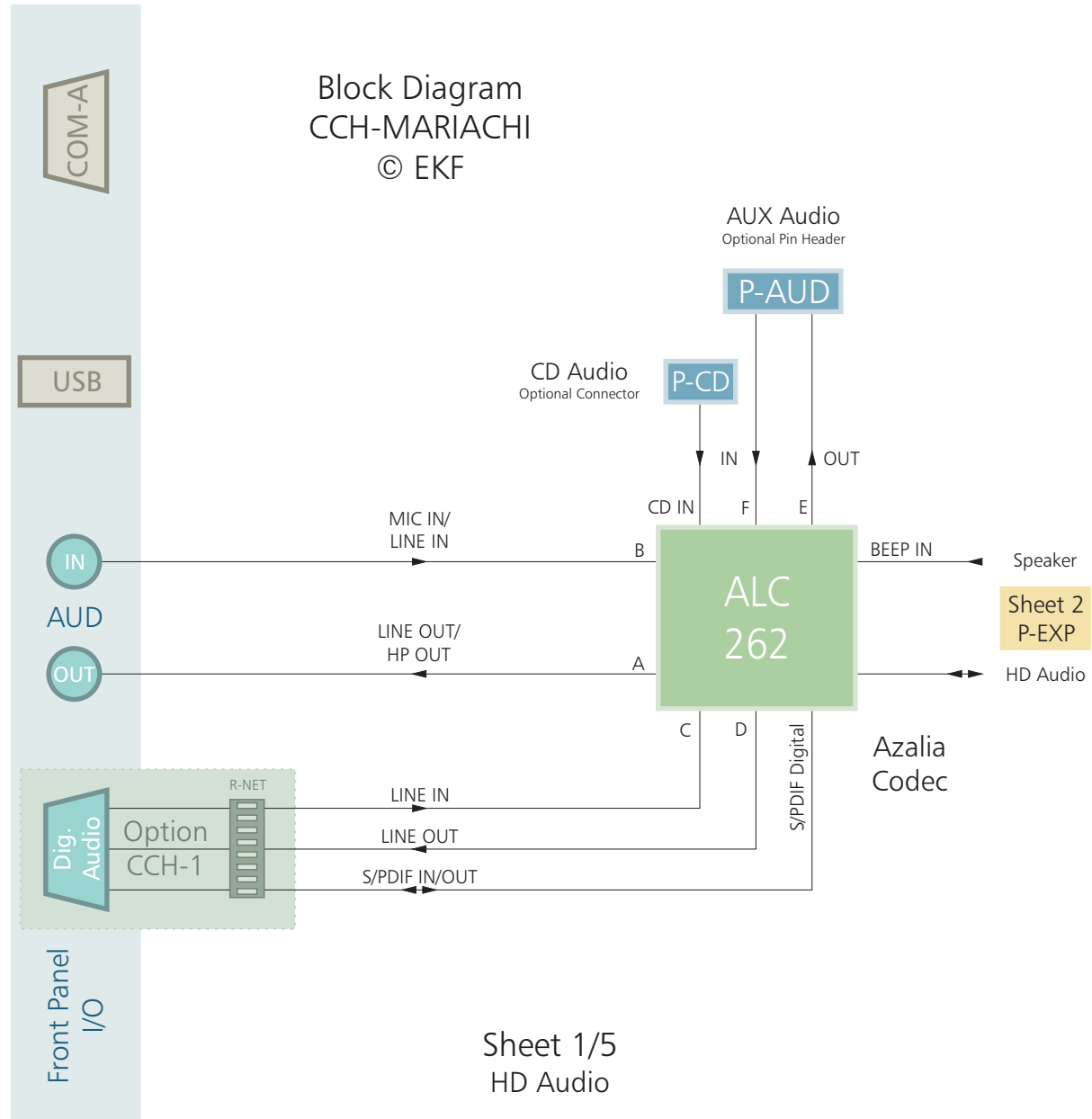
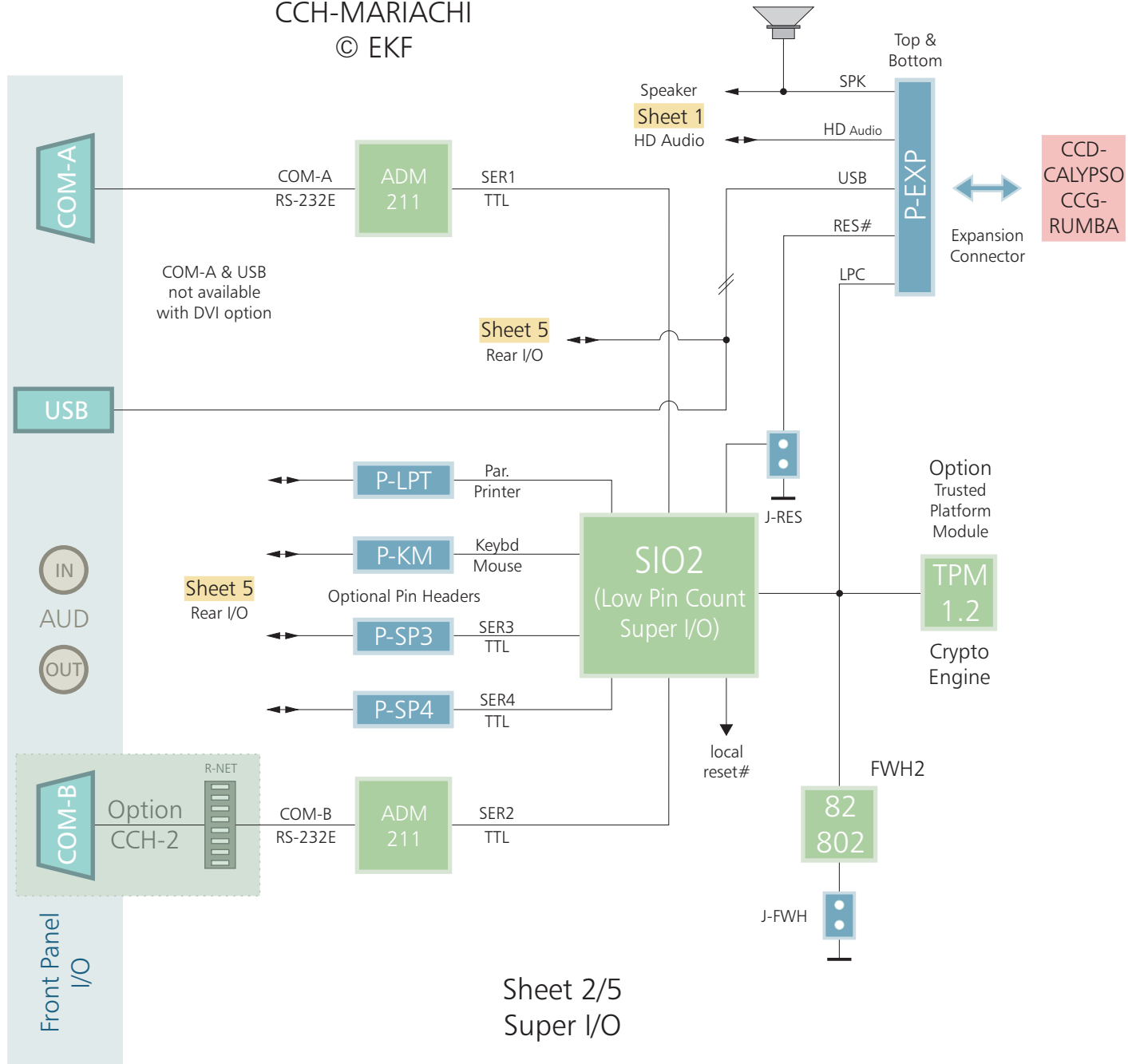


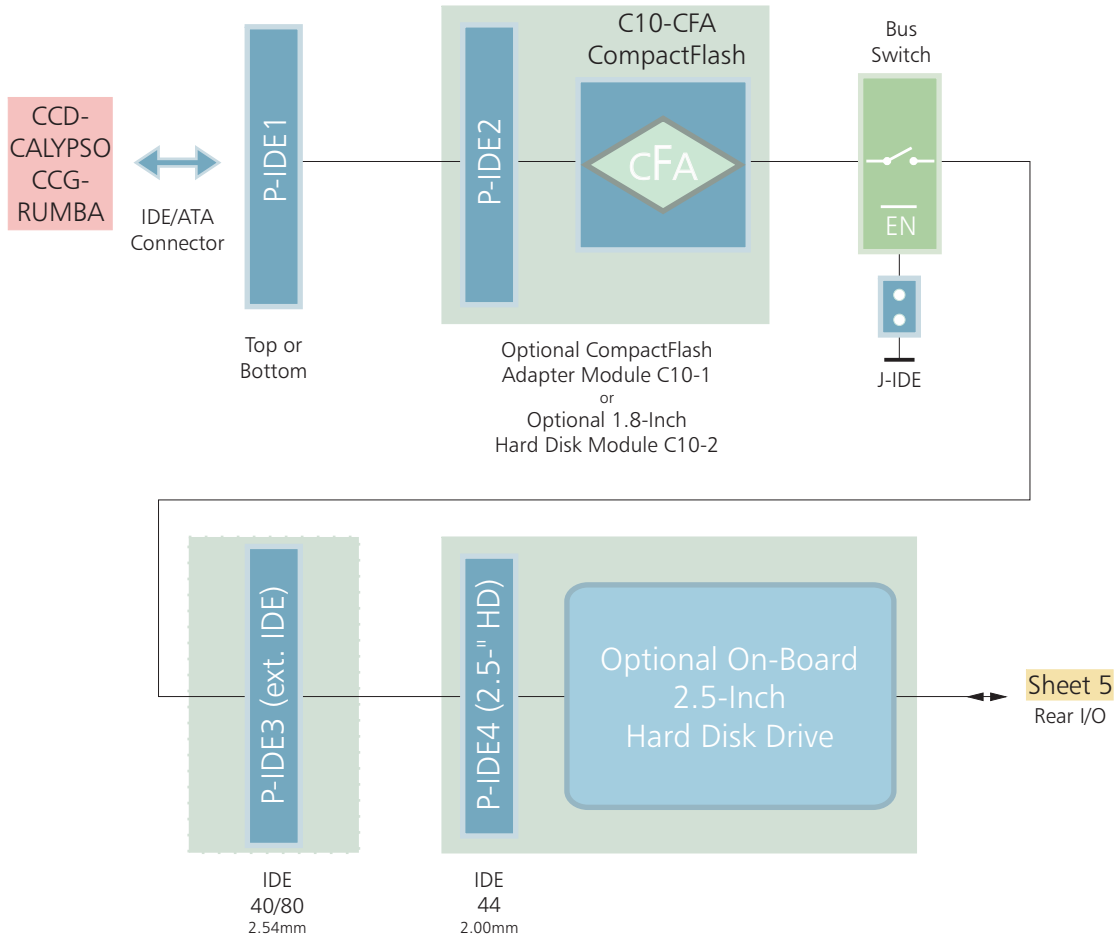
Block Diagram  
CCH-MARIACHI  
© EKF

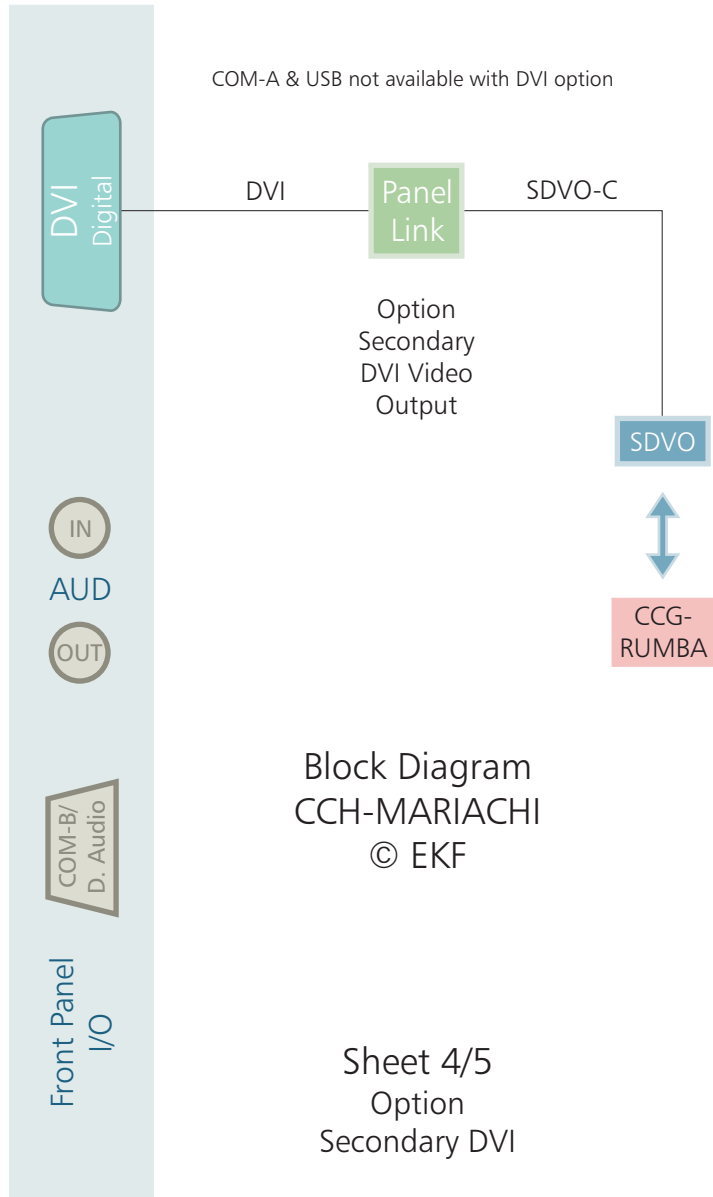


# Block Diagram CCH-MARIACHI © EKF



Block Diagram  
 CCH-MARIACHI  
 © EKF

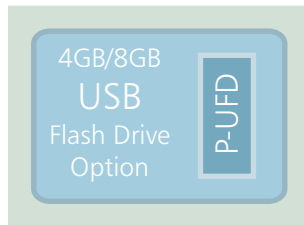




Block Diagram  
CCH-MARIACHI  
© EKF

Sheet 5/5  
Option Rear I/O  
Option SSD

M-Systems uDOC MD1665  
SimpleTech SLUFDM  
Intel Z-U130 SSDUSMS



Dual Sockets -  
Top / Bottom  
Assembly Option

Sheet 2  
SIO

LPT

Sheet 2  
SIO

SER3

Sheet 2  
SIO

SER4

Rear I/O J2

Sheet 2  
SIO

KB/MS

Sheet 2  
P-EXP

USB

Rear I/O J1

Sheet 3  
IDE

IDE

